

## Industrial Sensors

### Actuator transmitter - 2 inputs 4 outputs

TX IO 600-040



- ✓ Control of 4 relay outputs
- ✓ Monitoring of the status (open/closed) of 2 inputs
- ✓ Communication with an Enless receiver
- ✓ Very long radio range
- ✓ Power supply 7.5 - 24V

### Technical specifications

#### Physical characteristics

Protection index housing	IP60
Mounting	Wall / Clamp / DIN rail
Operating temperature	-20 / +55°C
Power supply	External 7.5 to 24VDC (typ. 12V 1A)

#### Radio

Radio antenna	1/4 wave antenna provided (to be connected to the SMA connector)
Supported protocol	Enless proprietary LoRa
Frequency	868MHz
Addressing	Enless LoRa ID
Transmission power	25mW (14 dBm)

## Interfaces

### Inputs

Number of inputs 2 inputs

Input type Dry-contact

### Outputs

Number of outputs 4 controllable outputs

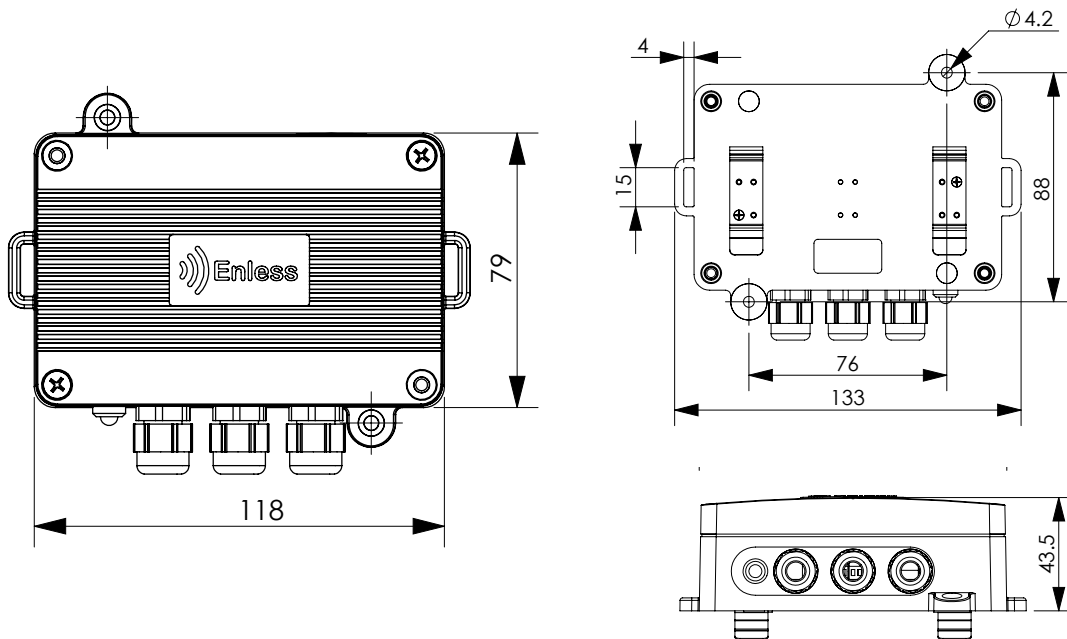
Output type Relay

Relay characteristics  
48V  
500mA

## Certifications



## Dimensions (mm)



DTM80-c



+3903311480496

sales@qlsol.com

Via Matteotti 193, 21044, Cavaria con Premezzo  
Italy

<https://www.qlsol.com>