

Smart Metering Sensors

ATEX Certified Pulse Sensor

TX PULSE ATEX 600-037



- ✓ ATEX Certification - Zone 0
- ✓ Gas meter pulse counting
- ✓ LoRaWAN & Enless proprietary LoRa compatible
- ✓ High-capacity Type D battery
- ✓ Up to 20 years of autonomy
- ✓ Very long radio range

Technical Specifications

Physical Characteristics

| | |
|-----------------------|---|
| Protection Rating | IP65 |
| Mounting | Wall / Clamp / DIN Rail |
| Operating Temperature | -20 / +55°C |
| Power Supply | Replaceable Lithium 3.6V Type D Battery |
| Battery Life | 12 years for a transmission every 5 minutes (SF9) |

Radio

| | |
|---------------------|---|
| Supported protocols | LoRaWAN (Class A) and Enless proprietary LoRa |
| Frequency | 868MHz |
| Addressing | LoRaWAN = DEVEUI, APPEUI, APPKEY (OTAA) Enless proprietary LoRa = Enless LoRa ID |
| Encryption | LoRaWAN = AES128 Enless proprietary LoRa = no encryption |
| Transmission power | 25mW (14 dBm) |

Interface

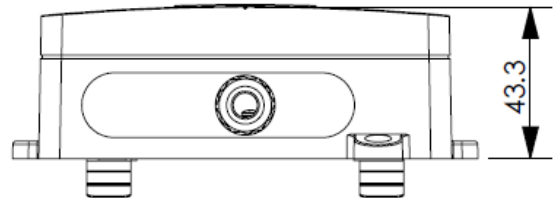
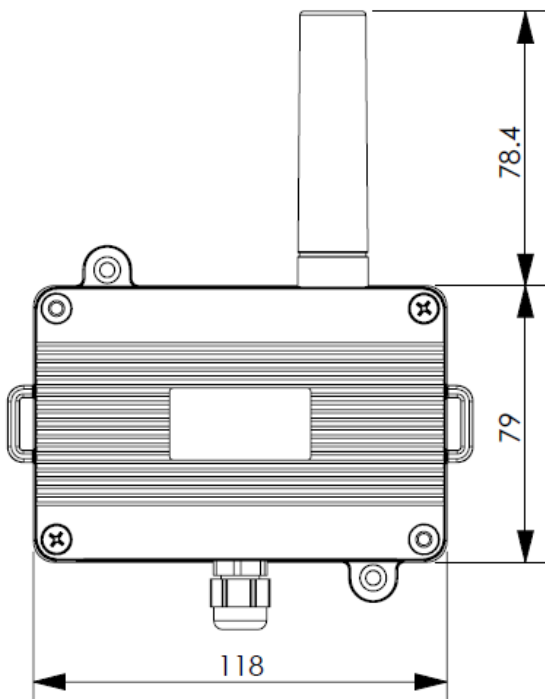
Pulse Inputs

| | |
|----------------------|---|
| Number of Inputs | 2 inputs |
| Input Type | Dry Contact / Open Collector |
| Supported Pulse Type | Duration: minimum 50ms Frequency: maximum 10Hz |
| Additional Function | Debounce |

Certifications



Dimensions (mm)



DTM51-f



+3903311480496

sales@qlsol.com

Via Matteotti 193, 21044, Cavaria con Premezzo
Italy

<https://www.qlsol.com>